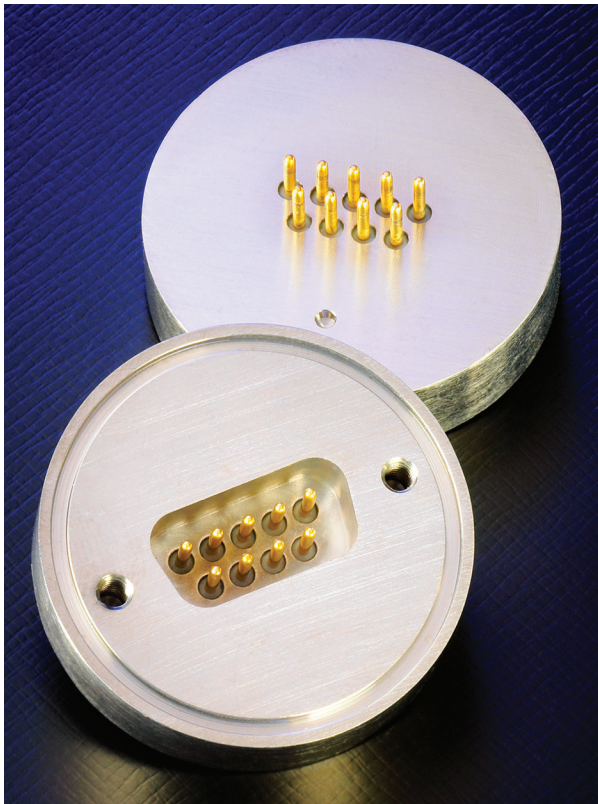


STANDARD HERMETIC 9-PIN D-SUB CONNECTORS

**Hermetic high
density feedthru
for instrumentation
applications.**



Tekna Seal's glass-to-metal sealed version of the 9-Pin D-Subminiature connector is a hermetic high density feedthrough for instrumentation applications. The body of the feedthrough is stainless steel and is intended to be welded into a device housing, vacuum chamber, or vacuum flange. Electrical connections on the external side can be made with standard 9-Pin female D-Sub connectors and cables.

Specifications

Materials of Construction:

- Body: 304 stainless steel
- Sealing/Insulating Glass: Tekna Seal Ceramic Glass
- Pins: Gold Plated Nickel 200

Hermeticity: Less than 1×10^{-8} std cc/sec helium leak rate at 1 atmosphere pressure differential

Insulation Resistance: 100 M Ohm minimum at 500 VDC

Operating Temperature Range: -50°C to 150°C

Maximum Bake-out Temperature: 300°C



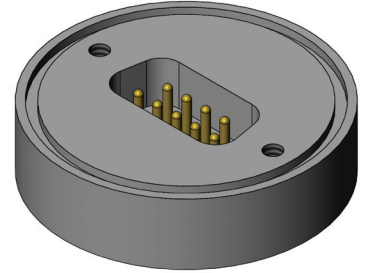
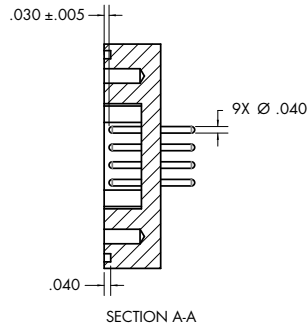
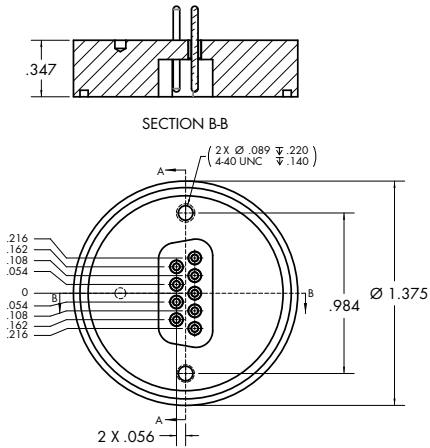
5301 East River Road • Minneapolis, MN 55421
Toll Free: 800.419.1613 • Fax: 763.574.9139
info@teknaseal.com • www.teknaseal.com

**Contact us today and let
Tekna Seal assist with
your standard 9-pin
connectors!**



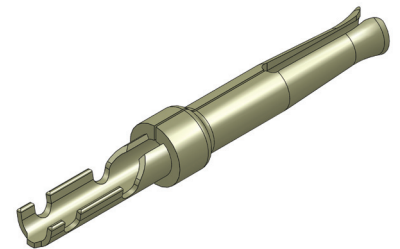
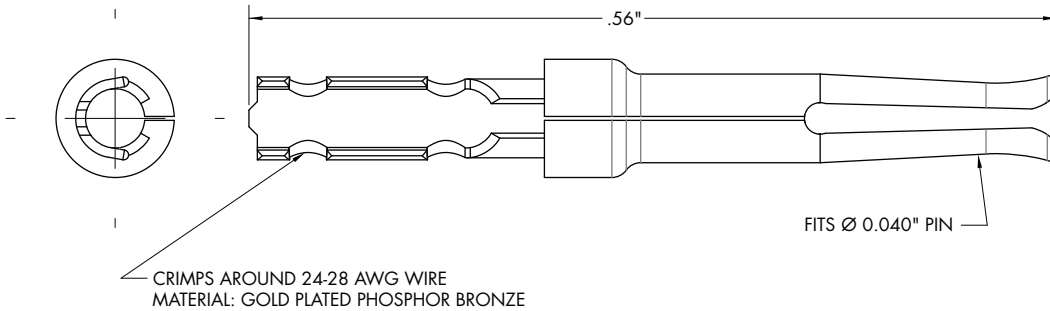
STANDARD 9-PIN CONNECTOR ACCESSORIES

P/N 40704



P/N 40704
ALL DIMENSIONS IN INCHES U.O.S.

P/N 70004



P/N 70005

